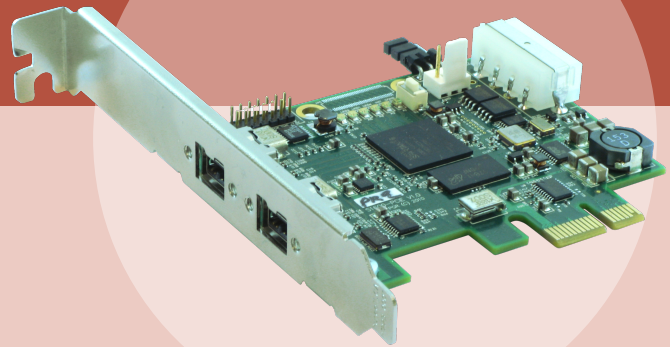




INTERFACE SOLUTIONS  
PCIe-Card  
1394 S1600

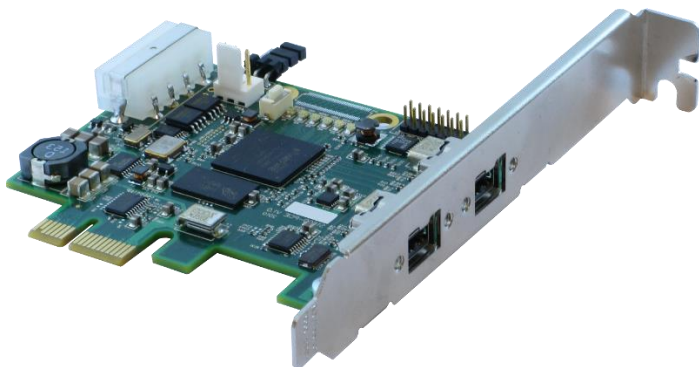
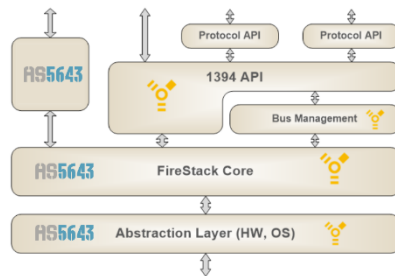


## PRODUCT OVERVIEW:

As part of “specialty 1394 host adapters cards” line DapTechnology has released its S1600 Mbps capable 1394 card! This line addresses special customer requirements and solutions that cannot be readily found with the “standard” vendors.

The **PCIe0161b** is a typical example for this product line: It is the only host adapter card in the market with S1600 capabilities. It incorporates DapTechnology’s innovative 1394 IP solution FireCore™ (i.e. the combined IP building blocks for LLC IP (FireLink®) and PHY IP (FireGate™)) and thus allows for unmatched data speeds.

The new card is OHCI compliant and works out-of-the-box with several operating systems like Windows or Linux. DapTechnology also offers an optimized SW stack **FireStack®**. It features an innovative 1394 packet handler, whose objective is to reduce resource burden when receiving and transmitting 1394 packets. The consistent utilization of zero-copy operations greatly enhances the overall system performance. FireStack® provides memory buffers accessible by both the user application and the 1394 Link Layer DMA engine. FireStack® is available (or planned) for a variety of operating systems like Windows™7 and Windows™10, VxWorks™, LabView™, Linux, etc. Please contact DapTechnology directly for availability.

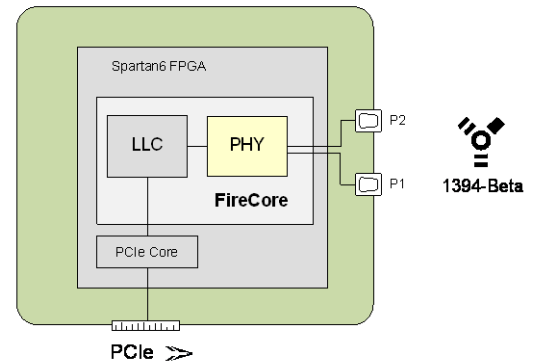


## KEY FEATURES:

- IEEE 1394b-2008 compliant
- Supports 800 & 1600 Mbps
- two 1394 Beta ports (9-pin)
- PCIe host bus connectivity
- Support for various operating systems

## SPECIFICATION:

<b>Dimensions:</b>	80.0mm x 69.5mm x 14.5mm
<b>Weight:</b>	60 g
<b>Operating Range:</b>	0 – 70 °C
<b>Power Requirements:</b>	will be provided
<b>Compliance:</b>	FCC Class A
<b>Connections:</b>	PCI Express r1.1, single lane 2x IEEE 1394-connectors (Beta, 9-pin)
<b>Indicators:</b>	-
<b>Switches:</b>	-
<b>Package Content:</b>	Host Adapter card User Guide
<b>Product warranty:</b>	36 months limited warranty
<b>Part Number:</b>	PCIe0161b
<b>Optional Configuration:</b>	-
<b>SW Add-on modules:</b>	



## CONTACT INFORMATION:

[sales@daptechnology.com](mailto:sales@daptechnology.com) [www.daptechnology.com](http://www.daptechnology.com)

**dap** TECHNOLOGY • **dap** USA •

DapTechnology B.V.

DapUSA, Inc.

Beatrixstraat 4

780 W San Angelo Street

7573AA Oldenzaal

Gilbert, AZ 85233

The Netherlands

United States of America

Ph: +31 541 532941

Ph: +1 480 422 1551