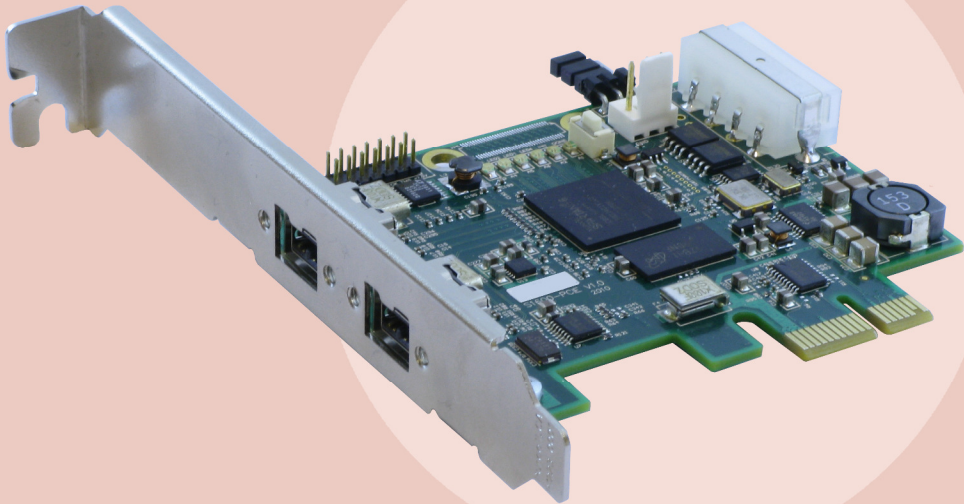


INTERFACE SOLUTIONS

HAC1600

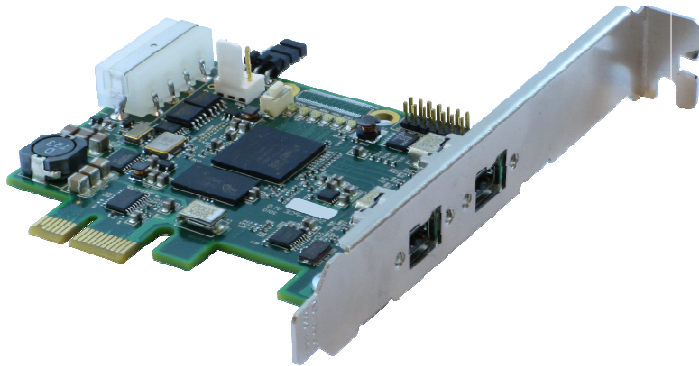
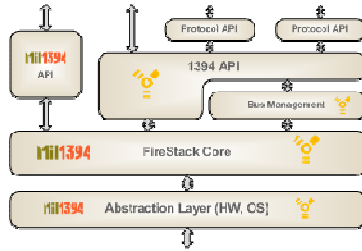


PRODUCT OVERVIEW:

As part of “specialty 1394 host adapters cards” line DapTechnology just released its new S1600 Mbps capable 1394 card! This line addresses special customer requirements and solutions that cannot be readily found with the “standard” vendors.

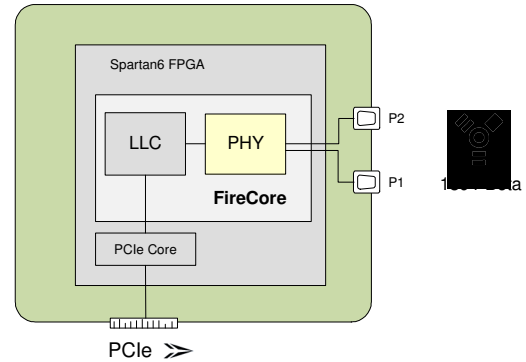
The **PCIe0161b** is a typical example for this product line: It is the only host adapter card in the market with S1600 capabilities. It incorporates DapTechnology’s innovative 1394 IP solution FireCore™ (i.e. the combined IP building blocks for LLC IP (FireLink®) and PHY IP (FireGate™)) and thus allows for unmatched data speeds.

The new card is OHCI compliant and works out-of-the-box with several operating systems like Windows 7. DapTechnology also offers an optimized SW stack **FireStack®**. It features an innovative 1394 packet handler, whose objective is to reduce resource burden when receiving and transmitting 1394 packets. The consistent utilization of zero-copy operations greatly enhances the overall system performance. FireStack® provides memory buffers accessible by both the user application and the 1394 Link Layer DMA engine. FireStack® is available (or planned) for a variety of operating systems like Windows™ XP and 7, VxWorks™, LabView™, Linux, etc. Please contact DapTechnology directly for availability.



SPECIFICATION:

Dimensions:	80.0mm x 69.5mm x 14.5mm
Weight:	60 g
Operating Range:	0 – 70 °C
Power Requirements:	will be provided
Compliance:	FCC Class A
Connections:	PCI Express r1.1, single lane 2x IEEE 1394-connectors (Beta, 9-pin)
Indicators:	-
Switches:	-
Package Content:	Host Adapter card User Guide
Product warranty:	12 months limited warranty
Part Number:	PCIe0161b
Optional Configuration:	-
SW Add-on modules:	-



KEY FEATURES:

- IEEE 1394b-2008 compliant
- Supports 800 & 1600 Mbps
- two 1394 Beta ports (9-pin)
- PCIe host bus connectivity
- Support for various operating systems

CONTACT INFORMATION:

DapTechnology B.V.

Zutphenstraat 67
7575EJ Oldenzaal
the Netherlands
Ph: +31 541 532941
Fax: +31 541 530193
sales@daptechnology.com
www.daptechnology.com

DapUSA, Inc.

780 W San Angelo Street
Gilbert, AZ 85233
United States of America
Ph: (480) 422 1551
Fax: (302) 439 3947
sales@daptechnology.com
www.daptechnology.com

