



1394 ANALYSIS SOLUTIONS

FIRESPY 1600



PRODUCT OVERVIEW:

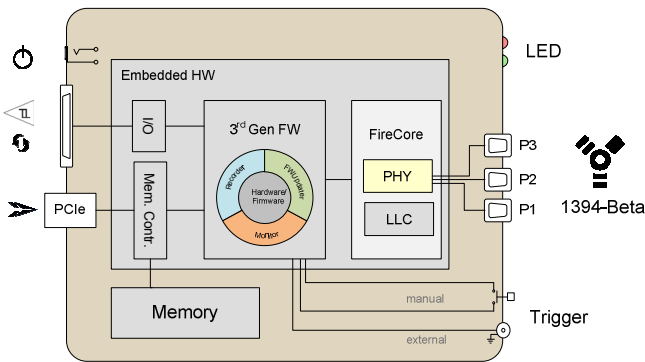
The FireSpy1600 is DapTechnology's latest product in the ever so successful FireSpy IEEE1394 Data Analyzer product line. It was developed specifically to address the growing need for faster communication speeds.

The **FireSpy1600** is a small, compact instrument that is equipped with 1 GB internal memory. However, the new high speed connectivity with the host PC allows for utilization of host memory for data capture. The analyzer supports up to 1600 Mbps data speeds and is fully IEEE1394-2008 compliant. Multiple beta 1394b ports allow for convenient connection to the system under test.

The **FireSpy1600** may be connected to a host computer via the PCI Express interface (cable). The graphical user interface is supported on Windows™ XP and 7 and has proven its unmatched capabilities in many years of FireSpy analyzer deployment.

3rd GENERATION HARDWARE:

In order to support the higher speeds this new generation of 1394 bus analyzer has been completely rearchitected. And the 1394 interface is entirely based on Dap's Firewire IP solution FireCore™ which combines both the Physical as well as the Link Layer functionality in one IP block.



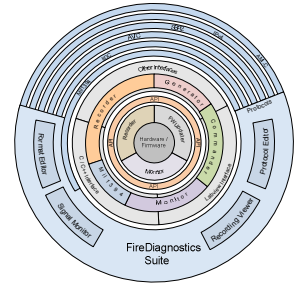
KEY FEATURES:

- 1394b-2008 compliant
- 800Mb and 1600 Mbps
- Host connection via PCI Express x4
- Uses host memory for data capture
- Supports Windows™ XP(64) and 7(64)
- 3x 9-pin Beta FireWire ports
- Optional Bus Power @18W (12V, 1.5A) per port
- Powerful software provides:
 - Monitor
 - Commander
 - Recorder
 - Generator (pending)
 - Support for IEC61883, AV/C, SBP2, IP1394, AMI-C and IIDC protocols
- API with C/C++, LabVIEW™ and LabWindows™ interfaces (pending)



FIREDIAGNOSTIC SUITE:

The **FireDiagnostics Suite** is the most comprehensive collection of 1394 analysis, simulation and interface tools for a wide range of applications. Apart from well established and hardware assisted analyzer tools like Monitor, Recorder, Generator, Commander and Scriptor (only on select models), the suite also offers a set of software tools designed to



integrate the FireSpy products in a wide variety of testing applications, as well as extend customization of its functionality beyond the baseline feature set provided by DapTechnology.

SPECIFICATION:

Dimensions:	165 mm x 60 mm x 165 mm
Weight:	1100 g
Power Requirements:	12 V, 15 Watt maximum (preliminary) (without providing 1394 bus power)
Compliance:	FCC Class A
Connections:	PCI Express connector (cable) 3 IEEE 1394 connectors (Beta) BNC connector for external trigger input AUX connector
Indicators:	bicolored LEDs
Switches:	Tumble switch for Power On/Off Push button for manual triggering
Package Content:	FireSpy1600 Power Adapter PCIe Host Adapter Card (with cable PCIe connector) PCIe Cable Trigger Cable
Product warranty:	12 months limited warranty
Part Number:	FS0162b
Optional Configuration:	-
SW Add-on modules:	SBP2 protocol software package IIDC protocol software package AV/C protocol software package IP1394 protocol software package AMI-C protocol software package

CONTACT INFORMATION:

DapTechnology B.V.

Zutphenstraat 67
7575EJ Oldenzaal
the Netherlands
Ph: +31 541 532941
Fax: +31 541 530193
sales@daptechnology.com
www.daptechnology.com

DapUSA, Inc.

780 W San Angelo Street
Gilbert, AZ 85233
United States of America
Ph: (480) 422 1551
Fax: (302) 439 3947
sales@daptechnology.com
www.daptechnology.com

