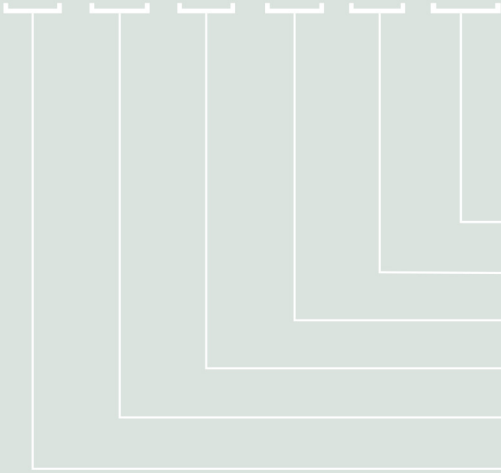
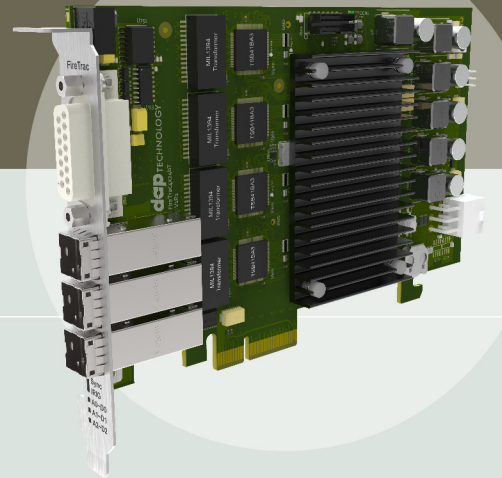




INTERFACE SOLUTIONS

# FIRETRAC xx24bT



- AS5643: Transformer Coupled Ports
- IEEE-1394 Beta ports
- SFF Connectors for IEEE-1394 Ports
- PCIe Host Connectivity
- S400 (TSB41) / S800 (TSB81) IEEE-1394 Ports
- 3 / 4 -bus IEEE-1394 interface



## FIRETRAC® OVERVIEW:

The **FireTrac®** product family complements DapTechnology's successful **FireSpy®** and AS5643 OHCI host adapter product lines. It clearly is the next generation SAE AS5643 data processing, simulation and testing solution.

DapTechnology has seen an increasing demand for more streamlined hardware systems for the processing of AS5643 (and generic 1394) data streams. Customers get increasingly involved in monitoring the actual data content rather than the 1394 layer. And for simulation purposes, they require advanced error insertion capabilities that can only be accomplished with non-off-the-shelf Link Layer implementations. IRIG time-stamping of monitored events on the bus is a typical requirement.

**FireTrac®** provides a powerful solution for this market need. It is designed to natively (not just as an add-on protocol) support AS5643. Besides the standard IEEE1394 features, **FireTrac®** has been architected to provide hardware level support for SAE AS5643 which reduces host processor burden, specifically for packet encapsulation, data extraction, receive/transmit STOF offsets, etc. As a key example, **FireTrac®** handles AS5643 transmission timing entirely in hardware therefore making it a lot more accurate. It is important to understand that **FireTrac®** is a dedicated and optimized solution for the processing of AS5643 type traffic. Support for this protocol is embedded in the hardware and not just in a software layer, as is provided with other solutions that rely on COTS OHCI chipsets.

In order to get the best out of the unique feature set of the **FireTrac®** card DapTechnology recommends using the hardware in combination with **FireStack®**, i.e. DapTechnology's home grown software stack. **FireStack** optimally supports the hardware and firmware layers embedded into **FireTrac**. As **FireTrac's®** host interface uses FireLink Extended (and not a standard OHCI Link Layer chip) functionality that has been tailored and optimized for the support of the AS5643 standard brings the combination of **FireTrac®** and **FireStack®** to an entirely new level.

## A Powerful Mil1394 Solution

**FireTrac®** provides a very universal approach to dealing with AS5643 type of traffic. It is uniquely suited for SAE AS5643 level DataExtraction and Analysis (RX) but also Data Generation and Device Simulation (TX).

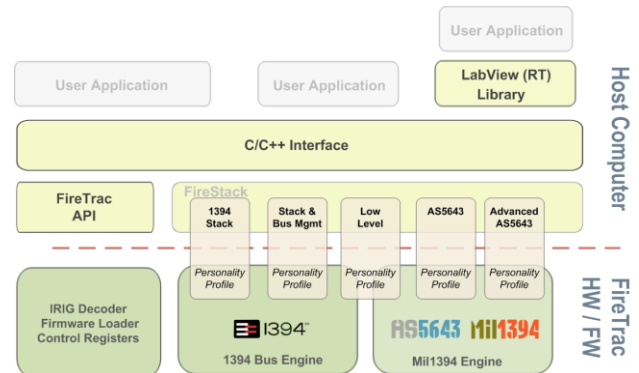
With the **FireTrac®** platform DapTechnology has enabled dedicated implementations needed in the A&D environment. Such application-centric solutions are focused on very specific tasks and, due to their very clearly defined requirements, DapTechnology is able to even further optimize the firmware and software architecture.

Examples for such "customized" solutions are:

- Data Recorders (single/multi-channel, with/without Stealth, ...)
- System Simulators (multi-streams generator, error injection, ...)
- System Monitors (Health, Data Extraction, ...)

**FireTrac®** uses a combination of 1394 and AS5643 support in hardware, as well as a robust, well-designed 1394 software stack (**FireStack®**) running on a host computer. Interfacing to this stack can be done via an API that offers C/C++ on multiple platforms as well as LabVIEW and Python interfaces on Windows. Currently, DapTechnology supports Windows, VxWorks, Linux, QNX, LabVIEW(RT) and RTX64 platforms.

An essential feature of **FireTrac®** is its adaptable software and firmware layers. In order to be usable in embedded designs having limited resources, great emphasis was given to keep the footprint and host system resource utilization fairly small. And, in order to optimize and streamline performance, the individual features and functions of **FireTrac®** are grouped into so-called Personality Profiles. These profiles may be purchased separately so that the user may configure their system based on individual requirements.



The *Personality Profiles* allow the solution to be adapted for use in embedded systems which typically have limited resources, and/or with powerful host processors that can utilize even the fully featured profile.

The following profiles are available:

- Low-Level API Profile
- 1394 Software Stack Profile
- 1394 Software Stack + Bus Mgmt. Profile
- AS5643 Bus Interface Profile

Functional Modules	Profiles				
	Low-Level API	SW Stack	SW Stack + Bus Mgmt.	AS5643	Advanced AS5643
Single Packet TX / RX	✓	✓	✓	✓	✓
Local PHY Register Access	✓	✓	✓	✓	✓
Bus Reset Detection	✓	✓	✓	✓	✓
Topology Information	✓	✓	✓		
Isochronous Stream RX / TX	✓	✓	✓		
Inbound Transactions	✓	✓	✓		
Outbound Transactions	✓	✓	✓		
TX Jitter Insertion					
TX Error insertion				pend.	
Cycle Master Capable			✓		
IRM Capable			✓		
Bus Manager Capable			✓		
Automated Data Insertion (HW)					pend.
Automated Data Extraction (HW)					pend.

## Application Programming Interface (API)

**FireStack®** provides an API with multiple levels of abstraction from the 1394 bus that allows for a very "1394-unaware" application programming. Due to the very high degree of abstraction the user does not have to be a 1394 expert for most of the typical 1394 bus control and transaction handling tasks. This high-level API focuses on ease-of-use, low learning curve and streamlined programming.

For very fundamental 1394 bus controls a Low-Level API is available. It can be used for operations on the basic 1394 level. For example, this API allows for remote PHY access, commands, bus optimization, error condition testing, etc. As another example, it provides CRC overwrite functionality in order to simulate erroneous bus signaling as well as other advanced and non-standard features within a SW stack.



## AS5643 Personality Profile

The SAE-AS5643 protocol differs from other 1394 protocols because of its stringent timing requirements. Because of potential inaccuracies and unpredictable latencies possible with software implementations, DapTechnology strongly believes that the AS5643 protocol timing is best implemented via a HW extension in the 1394b Link Layer. Therefore, DapTechnology has added the AS5643 protocol timing into **FireLink® Extended** as an integral module. With this HW support FireLink® Extended is easily capable of meeting the AS5643 frame timing requirements and eliminates the need for complicated interrupt schemes or real-time operating systems typically needed to efficiently use the AS5643 protocol.

The **FireStack®** software library contains an AS5643 protocol module that can be used to control the AS5643 hardware of FireLink Extended enabled products (e.g. the FireTrac I/O card). Optimized frame timing can be configured and used for both timed transmission and reception.

**Frame Timing:** FireStack® is very flexible in the way it handles the timing of Start of Frames. Frame synchronization for AS5643 reception and transmission may be configured as either:

- Free Running based on an internal clock with a 1us resolution,
  - based on STOF packets on the bus (just any stream packet on a configurable channel),
  - based on an External Sync Input Signal
- or synchronized to one of the other buses on the same FireTrac.

In addition to acting as a synchronization “slave”, it is also possible for each bus to act as STOF master and output a sync pulse on an External Sync Pin.

**Reception:** AS5643 reception provides a filtering mechanism and all incoming packets will be run against a comprehensive verification system. Messages can be filtered on channel number, AS5643 message ID or a combination of both.

**Transmission:** AS5643 Transmission module can be used to control devices that support AS5643 timed transmission in. FireTrac® offers very accurate transmission timing. The following transmission modes are available:

**Streaming messages:** Allows writing large or small sets of messages to FireStack® and having them transmitted automatically at specified frame offset times. The provided data needs to contain so called frame separator elements to indicate that the following message needs to be transmitted in the next frame.

**Repeating messages:** Allows setting up a message that will automatically be transmitted each frame by FireTrac hardware. The user will have a pointer to the actual data of the message and is allowed to manipulate the data at any point in time without having to worry about its timed transmission. This is very useful for AS5643 status messages.

**Single messages:** Allows simply transmitting a message as soon as possible but exactly at the specified frame offset time. Several messages may be handed to the FireStack® for immediate transmission and the FireStack® will then take care of the actual moment of transmission.

**STOF Messages:** Allows controlling transmission of STOF messages.

## Optimized IEEE-1394 Software Layers

The objective of **FireStack’s®** 1394 packet handler is to reduce resource burden when receiving and transmitting 1394 packets. The consistent utilization of zero-copy operations greatly enhances the overall system performance. **FireStack®** provides memory buffers accessible by both the user application and the 1394 Link Layer DMA engine.

For example, when transmitting an asynchronous packet and the user application has filled the memory buffer with the needed packet data, **FireStack®** will hand the buffer directly to the Link Layer for reading the packet into the packet transmission FIFO without having the CPU copy memory to memory.

Likewise, displaying a video stream from an IIDC camera only requires creation of DMA-capable reception buffers for the video frame data and registration of notification upon filling of a complete frame. Once notified the buffers holding the received data can be accessed directly by the video rendering engine in order to move the data to video card memory.

### Inbound Transactions:

Inbound Transactions (handling of incoming requests) are defined in two separate methods:

**Map Local Memory:** The user can “map” a memory buffer to a specific address space. The contents of the memory buffer can be accessed by the user application at any point in time. At the same time when the stack receives a request packet from a remote device it will automatically perform the response operation (read, write or lock) and will send a response packet back to the requester. The user has the option to be notified by the notification callback function when the transaction completes.

**Transaction Handler:** Similar to the Map Local Memory above the user can “register for” a specific address space instead of “mapping” local memory. When the stack receives a request packet it will call the user-specified handler callback function. The user can then perform any operation within the callback function. Upon returning from the handler callback, the FireStack® may transmit a response packet. The notification callback function will be called after completion of the response process.

### Outbound Transactions:

This module can be used to perform memory transactions (read, write, lock) on remote nodes. When a memory transaction is initiated **FireStack®** will automatically determine the maximum speed to the destination node by performing the needed PHY remote accesses.

Outbound Transactions can be used in the following ways with respect to result indication: In *Blocking mode* the TX functions will not return until the response packet is received and thus making the code sequential. In contrast to that the *Non-Blocking mode* can be used to initiate a series of “split” transactions i.e. a series of requests that are then followed by the corresponding - but not necessarily sequential - responses.

### Isochronous Messaging:

The Isochronous Streaming modules build on the mechanisms for efficient data processing defined by OHCI and provide a flexible and user-friendly API around it. Linked lists of buffers can be setup by the user application and will be automatically processed by the Link Layer DMA engine. Notification mechanisms are available for buffer and/or packet completion.

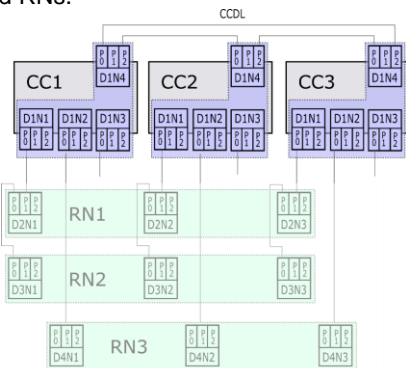
## NETWORK SIMULATION WITH FIRETRAC®

The **FireTrac®** product family offers a large variety of options how these I/O cards can be used to start, expand, and grow a simulation environment for AS5643 devices. While architecturally identical, the different channel numbers allow for a vast variety of configurations. Please note that the configuration scenarios presented below predominantly address triple redundant network systems, yet can relatively simply be adapted for system redundancies lower or higher than three (3).

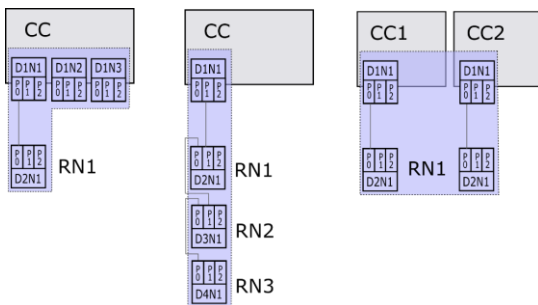
### 4-node FireTrac®:

The 4-node version(s) of **FireTrac®** is perfectly suited for use as a CC. As the picture below demonstrates the 4-node architecture is ideal to simulate a 3-branch CC including the interface for the CCDL. Using three **FireTrac®** cards (blue) a full and triple-redundant arrangement for control computers can be realized.

Paired with a triple redundant RN implementation using 3-node **FireTrac®** (displayed in green) one can easily build a minimal yet expandable instantiation of an AS5643 network consisting of CCs with CCDL and RNs.

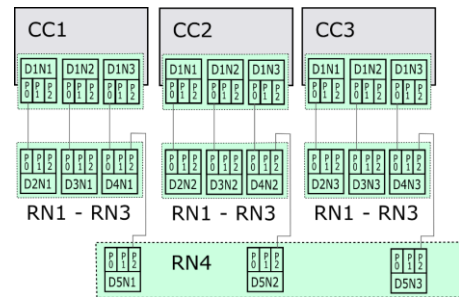


However, the above is only an implementation variant. A 4-node **FireTrac®** can also be used to simulate single branch bus behavior (left and middle) or mixed CC/RN situation in double redundancy (right).

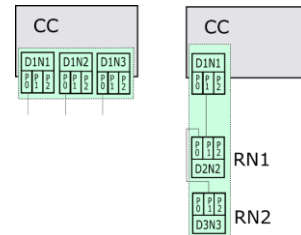


### 3-node FireTrac®:

The 3-node version(s) of **FireTrac®** is best suited to address triple-redundant and triple-branch architectures when no CCDL is needed. The picture below demonstrates how such a system can be arranged in different RN configurations by using just a few 3-node **FireTrac®** cards (green).



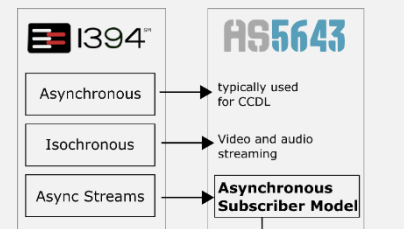
Other variants of how a single 3-node **FireTrac®** card can be used are depicted below. The left shows a CC devices simulating the triple bus interface (3 CC) whereas the right pictures demonstrates a possible single-branch usages model (CC + 2 RNs).



## Simulating AS5643 CCs and RNs

SAE AS5643 describes two types of device categories Control Computers (CC) and Remote Nodes (RN) whose functional definitions depend on the assigned tasks with respect to network communication and integrity verifications. Supporting both device types is an integral objective for **FireTrac®** and **FireStack®** and the FireStack API provides feature rich function calls for both categories in parallel. This way the implementer can focus on the AS5643 functional requirements for either CC and RNs. **FireStack®** doesn't put the device in a specific operational mode (either CC or RN) but all related functions and functionalities exist in parallel and – for a multi-node device can be used independently per node. Example applications are (or will be made) available to demonstrate both scenarios.

However, it is also important to understand that **FireTrac®** is not just a dedicated "AS5643 device". It is also a fully compliant IEEE-1394 device. In particular, this is important because next to the Async Streams (which are used for the Asynchronous Subscriber Model (ASM)) **FireStack®** also supports Asynchronous as well as Isochronous Messaging. Both are optional for the usage in AS5643. But due to its guaranteed quality-of-service the Asynchronous messaging seems to be the logical choice for Cross-Channel-Data-Link (CCDL) implementations. And video/audio streaming in conjunctions with ASM traffic is seen as a future growth path for future variants of AS5643.



Node operation	Mandatory for CC	Mandatory for RN
Initialization	✓	✓
STOP Generation	✓	-
System Integrity Management	-	✓
STOP Synchronization	-	✓
Internal STOP Timing	-	✓
ASM-Message Generation	✓	✓
ASM-Message Receive & Integrity-Validation	✓	✓
HW Failure Detection	✓	✓

## Bus Interconnectivity

In order to provide a wide variety of connectivity options – either to additional FireTracs or to other AS5643 equipment - DapTechnology is offering various harnesses/interconnectivity options. They are targeted to take full advantage of the port arrangements within the SFF connectors.

The most flexible approach for interconnecting other devices to FireTrac is provided by the 19" breakout panel (depicted below) which offers an extremely flexible way for connecting bus devices via 1394b bilingual sockets. Such a “patch” panel can also be configured with 1394 bilingual, LEMO or 38999 sockets depending on the customer’s interconnectivity preferences. A number of configuration parameters allows for tailoring of the panel to specific customer’s usage scenarios.

### Configuration Parameters:

- Length
- number of buses
- Connector Type (female)
  - LEMO
  - MIL38999
  - 1394 Bilingual



Besides the 19"-panels, DapTechnology also offers a series of connection harnesses. For example, the SFF-to-SFF cable shown below can be used to effectively daisy-chain several FireTracs (ports A0-D0 to A1-D1) with just one single harness.



### Configuration Parameters:

- Length
- number of buses
- Bus-to-Bus connection

Other variants include fan-out cables with Bilingual, LEMO or 38999 connectivity. No-termination variants are also available.

The variation of parameters (length, channels, port-to-port connections, ...) offers a large variety of options and cannot be displayed in its entirety. Please check on the web for more variants and/or consult with our sales specialists regarding your specific needs, lengths, channels and male/female connector options.



### Configuration Parameters:

- Length
- number of buses
- Connector gender
  - male
  - female)
- Connector Type
  - No-termination
  - LEMO
  - MIL38999
  - 1394 Bilingual

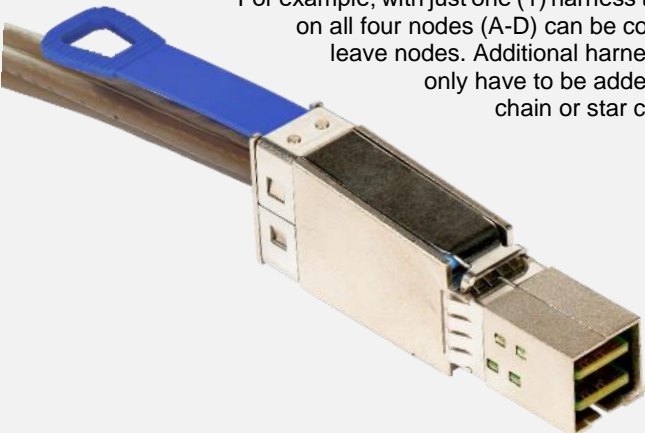
## SFF-8614 Connectivity

For this version of FireTrac® DapTechnology has opted to implement an innovative off-board connectivity, rather than the SCSI2 connector (used on the FT3460bT) the FT4x24bT uses SFF-8614 connectors.

SFF-8614 originates from the miniSAS HD Interconnectivity Technology which has proven its benefits with regards to signal integrity, data throughput, durability and usability.

Customers will benefit from the selected port-to-connector routing (A0-D0, A1-D1, A2-D2) as the need for cables can be adjusted to the specific usage scenario. This unique feature simplifies harnesses and reduce costs by eliminating unneeded cables.

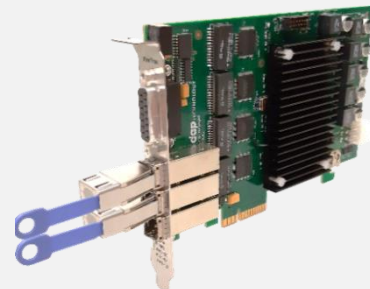
For example, with just one (1) harness the ‘0’-ports on all four nodes (A-D) can be connected as leave nodes. Additional harnesses would only have to be added for daisy-chain or star connectivity.



## Scalability of the AS5643 Network

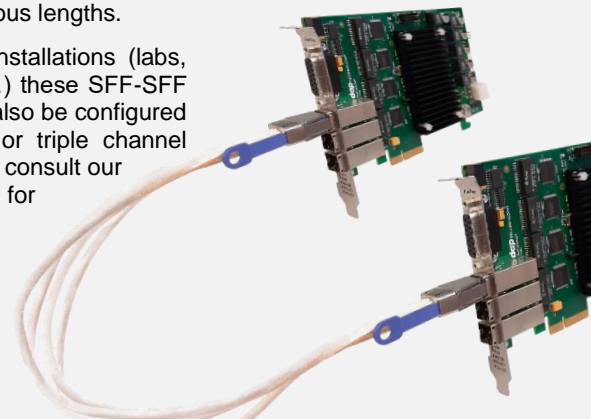
A single FireTrac can be used to simulate four different AS5643 devices and the separate nodes can be easily interconnected via small Connectivity Dongles which are sold as optional accessories.

In the depicted example, one Dongle (AB-CD, top) connects ports A0 with B0 as well as C0 with D0. Furthermore, an additional Dongle (AD-BC, bottom) can be used to connect B1 with C1. The resulting loop on A1-D1 is automatically resolved with the PHY-level loop healing mechanism.



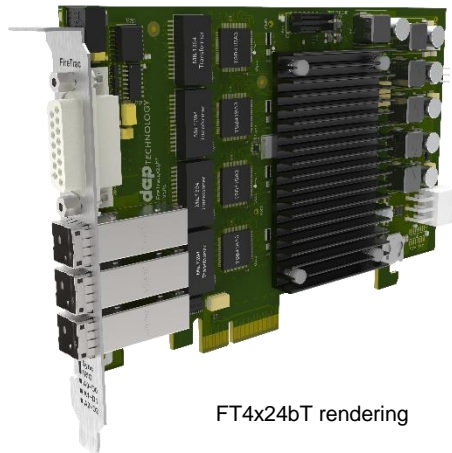
When enlarging the network, two or more FireTracs can be easily interconnected with SFF-SFF harnesses. Such harnesses are available in various lengths.

For optimized installations (labs, test systems, ...) these SFF-SFF harnesses can also be configured in single, dual or triple channel variants. Please consult our sales specialists for assistance.



## FTxx24BT FEATURE SUMMARY:

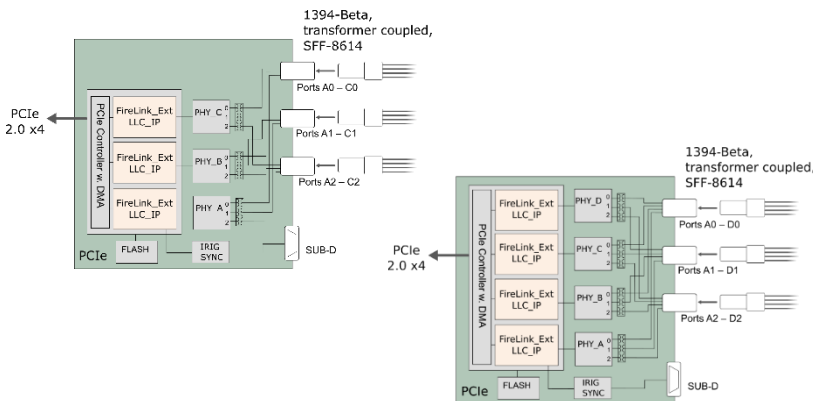
- AS5643 compliant
- IEEE 1394b-2008 compliant
- Supported Speeds\*: S100B, S200B, S400B, S800B  
\*) depending on specific model
- 3 (4) independent 1394 nodes
- Link Layer: FireLink Extended with Mil1394 Extensions
- PHY Layer:
  - FT4424bT: Texas Instruments TSB41BA3DIPFP prepared for and upgradeable to TSB41BA3F-EP
  - FT4824bT: Texas Instruments TSB81BA3EPFP
- 9 (12) active transformer-coupled 1394 ports
- 3x SFF-8614 connectors
  - ports A0, B0, C0, (D0 only on 4-bus version)
  - ports A1, B1, C1, (D1 only on 4-bus version)
  - ports A2, B2, C2, (D2 only on 4-bus version)
- Field-upgradable
- PCI Express 2.0 x4
- Sustained multi-bus IEEE-1394 traffic at S400/S800
- IRIG Time Synchronization
  - IRIG-B122 (IEEE1344)
  - IRIG-B002 (IEEE1344) TTL
  - IRIG-B002 (IEEE1344) RS422
- Application Programming Interfaces (API)
  - C/C++
  - Python (on Windows)
- Support for:
  - MS Windows
  - Linux
  - VxWorks
  - LabVIEW
  - QNX
  - RTX64



FT4x24bT rendering

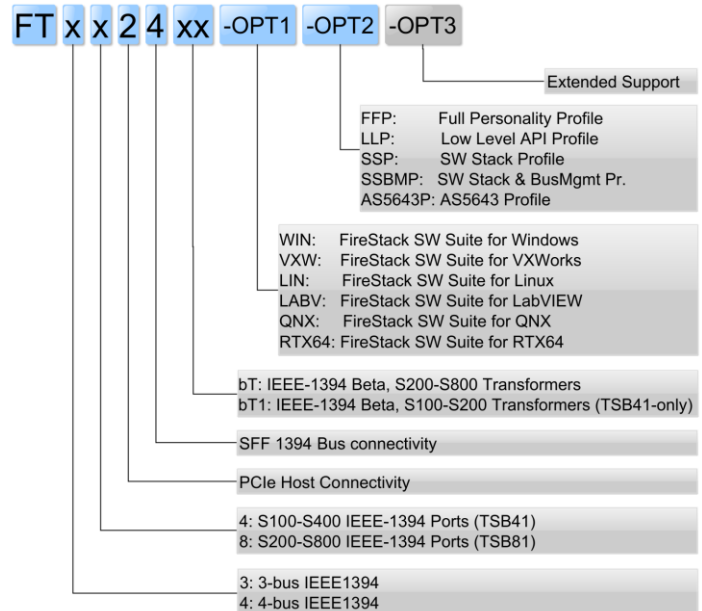
## ARCHITECTURE:

The FireTracxx24bT was designed using a modern PCI Express based host connectivity approach. Three (four) FireLink 1394b IP cores are connected to a PCI Express controller. This concept allows using the latest PCIe based host connectivity.



## SPECIFICATION:

- Form factor:** Half-length, full-height x4 PCIe
- Weight:** 230 g
- Operating Range:** -30...+80 °C
- Power Requirements:** 9 Watts (max.)
- Compliance:** FCC Class A, CE
- Connections:** PCI Express 2.0 x4  
3x SFF-8614 connectors for transformer-coupled 1394b ports  
D-SUB connector for IRIG and Sync
- Indicators/Switches:** -
- Package Content:** FireTrac FTxx24bT
- Product warranty:** 48 months limited warranty
- Part Number:** FT3424bT-OPT1-OPT2-[OPT3]  
FT3424bT1-OPT1-OPT2-[OPT3]  
FT3824bT-OPT1-OPT2-[OPT3]  
or  
FT4424bT-OPT1-OPT2-[OPT3]  
FT4424bT1-OPT1-OPT2-[OPT3]  
FT4824bT-OPT1-OPT2-[OPT3]



## Accessories:

For up-to-date offerings of cables and harnesses as well as other accessories please refer to the applicable [product webpage](#).

## CONTACT INFORMATION:

[sales@daptechnology.com](mailto:sales@daptechnology.com)

[www.daptechnology.com](http://www.daptechnology.com)

**dap** TECHNOLOGY

**dap** USA

DapTechnology B.V.  
Beatrixstraat 4  
7573AA Oldenzaal  
The Netherlands  
Ph: Ph: +31 243 556421

DapUSA, Inc.  
780 W San Angelo Street  
Gilbert, AZ 85233  
United States of America  
Ph: (480) 422 1551

DT-PRO116DAT555E, AUG2023

Copyright © DapTechnology B.V., 2019-2023 - All Rights Reserved

DapTechnology cannot guarantee currentness and accuracy of information presented