



GEN3 SINGLE SERIES

FIRESPY

1600
3200



PRODUCT OVERVIEW:

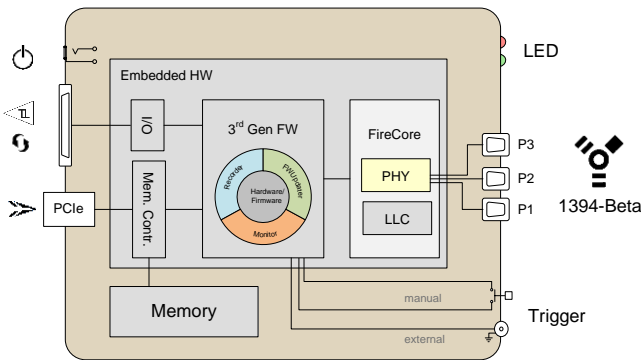
The **FireSpy1600** and **FS3200** are DapTechnology's fastest product in the ever so successful FireSpy IEEE1394 Data Analyzer product line. It was developed specifically to address the growing need for faster communication speeds.

The **FireSpy1600** is a small, compact instrument that is equipped with 1 GB internal memory. However, the new high speed connectivity with the host PC allows for utilization of host memory for data capture. The analyzer supports up to 1600 Mbps data speeds and is fully IEEE1394-2008 compliant. Multiple beta 1394b ports allow for convenient connection to the system under test.

The **FireSpy1600** may be connected to a host computer via the PCI Express interface (cable). The graphical user interface is supported on Windows™ and has proven its unmatched capabilities in many years of FireSpy analyzer deployment.

3rd GENERATION HARDWARE:

In order to support the higher speeds this new generation of 1394 bus analyzer has been completely rearchitected. And the 1394 interface is entirely based on Dap's FireWire IP solution FireCore™ which combines both the Physical as well as the Link Layer functionality in one IP block.



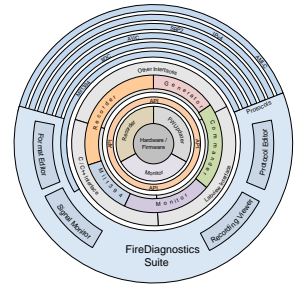
KEY FEATURES:

- 1394b-2008 compliant
- 800Mb and 1600/3200 Mbps
- Host connection via PCI Express x4
- Uses host memory for data capture
- GUI and API for Windows™ Operating Systems
- 3x 9-pin Beta FireWire ports
- Optional Bus Power @18W (12V, 1.5A) per port
- Powerful software provides:
 - Monitor
 - Commander
 - Recorder
 - Generator (pending)
 - Support for IEC61883, AV/C, SBP2, IP1394, AMI-C and IIDC protocols
- C/C++ API with wrappers for LabVIEW™



FIREDIAGNOSTIC SUITE:

The **FireDiagnostics Suite** is the most comprehensive collection of 1394 analysis, simulation and interface tools for a wide range of applications. Apart from well established and hardware assisted analyzer tools like Monitor, Recorder, Generator, Commander and Scriptor (only on select models), the suite also offers a set of software tools designed to integrate the FireSpy products in a wide variety of testing applications, as well as extend customization of its functionality beyond the baseline feature set provided by DapTechnology.



SPECIFICATION:

- Dimensions:** 165 mm x 60 mm x 165 mm
- Weight:** 1100 g
- Power Requirements:** 12 V, 15 Watt maximum (preliminary) (without providing 1394 bus power)
- Compliance:** FCC Class A
- Connections:** PCI Express connector (cable)
3 IEEE 1394 connectors (Beta)
BNC connector for external trigger input
AUX connector
- Indicators:** bicolored LEDs
- Switches:** Tumble switch for Power On/Off
Push button for manual triggering
- Package Content:** FireSpy1600 / FireSpy3200
Power Adapter
PCIe Host Adapter Card (w. cable PCIe connector)
PCIe Cable
Trigger Cable
- Product warranty:** 48 months limited warranty
- Part Number:** FS0162b / FS0322b
- Optional Configuration:-**
- SW Add-on modules:** SBP2 protocol software package
IIDC protocol software package
AV/C protocol software package
IP1394 protocol software package
AMI-C protocol software package

CONTACT INFORMATION:

sales@daptechnology.com www.daptechnology.com



DapTechnology B.V.
Beatrixstraat 4
7573AA Oldenzaal
The Netherlands
Ph: +31 541 532941

DapUSA, Inc.
780 W San Angelo Street
Gilbert, AZ 85233
United States of America
Ph: +1 480 422 1551